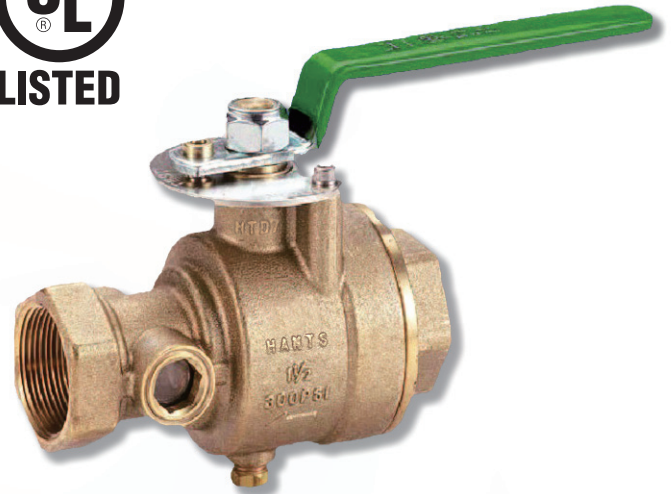


HTD

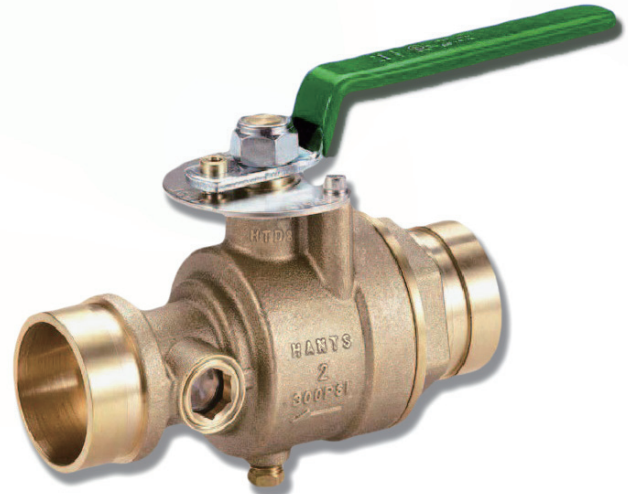
HTD series

TEST AND DRAIN VALVE

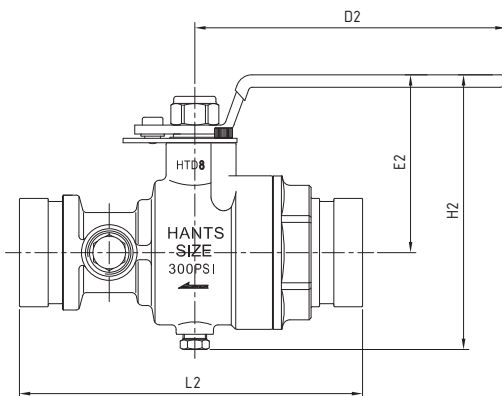
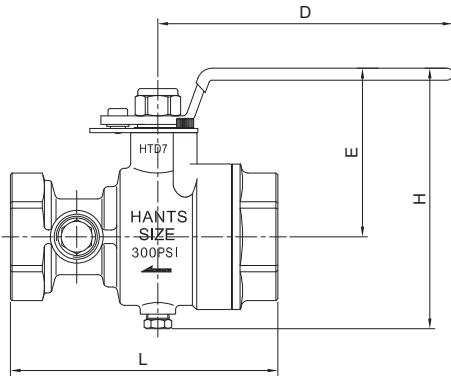
- Applicative units for: Test water flow through fire systems
- Working Pressure: 300 PSI (20.6 bar)
- Working Temp.: -10°C to 120°C (14°F to 250°F)
- Connection: Threaded NPT, BSPT, Grooved AWWA C606
- Three position ball valve OFF / TEST / DRAIN.
- Tamper-Resistant Test Orifice and Sight Glasses Compact.



HTD7



HTD8



ITEM	PARTS	MATERIAL
1	BODY	BRASS
2	SEAT	TFM
3	STEM	BRASS
4	STEM SEAL	TFM
5	BALL	BRASS
6	LEVER	STEEL
7	INDICATOR PLATE	STEEL

SIZES		DIMENSIONS (MM)									
Inch	mm	L	L2	H	H2	E	E2	D	D2	ORIFICE	K
1"	DN 25	128		113		68		130		7/16"/ 1/2"	4.2/ 5.6
1.25"	DN 32	128	161.6	113	112	68	68	130	130	7/16"/ 1/2"	4.2/ 5.6
1.5"	DN 40	157	190.9	155	155	99	99	157	157	7/16"/ 1/2"/ 3/4"/ 25	4.2/ 5.6/ 14/ 25
2"	DN 50	157	190.9	155	155	99	99	157	157	7/16"/ 1/2"/ 3/4"/ 25	4.2/ 5.6/ 14/ 25